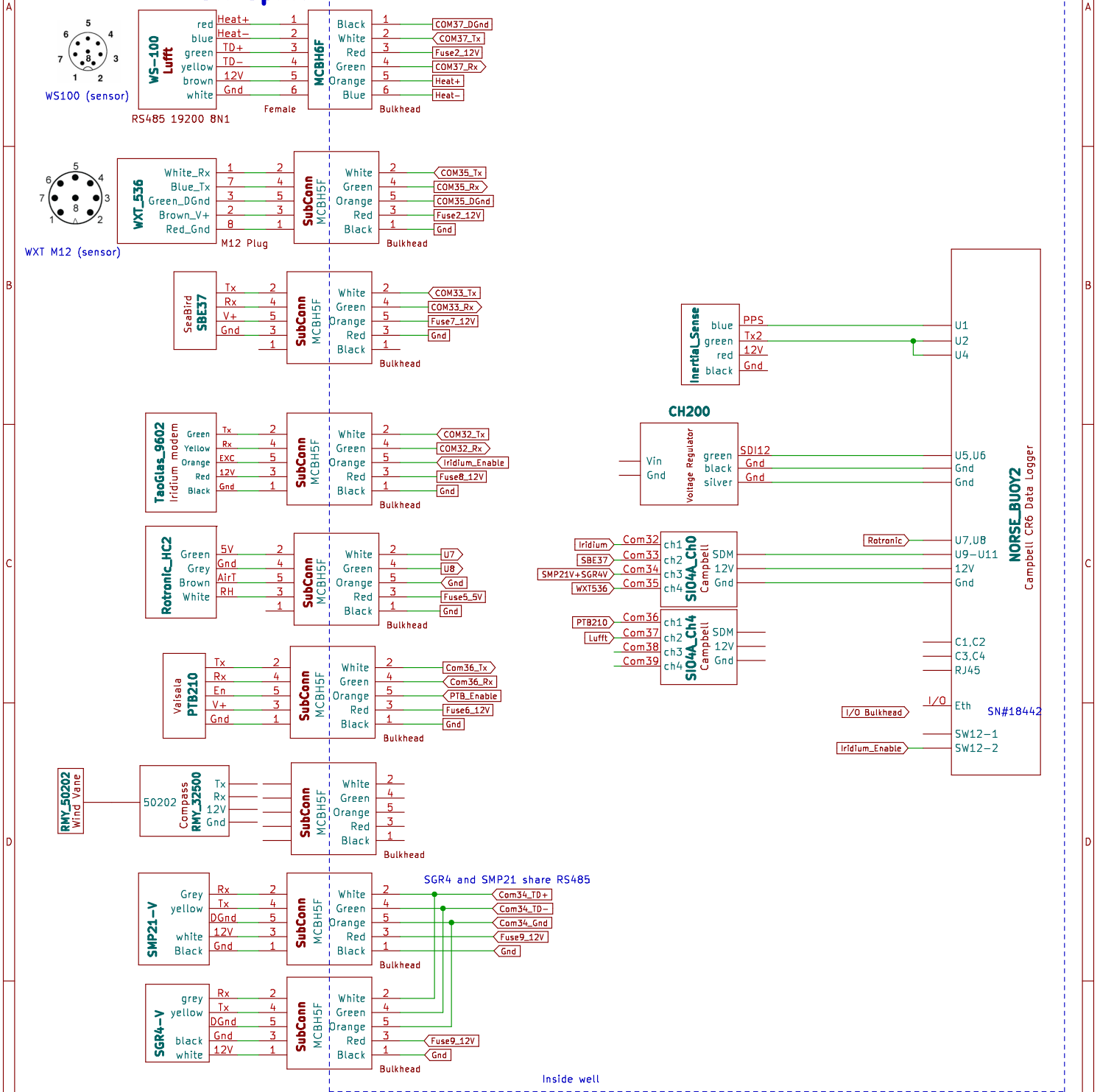


NORSE Buoy2

OR 8pin?

Inside well



Benjamin Greenwood
Upper Ocean Processes Group
Sheet: /
File: NORSE_buoy2.kicad_sch

Title: NORSE 2022 "MISO style" buoy 2

Size: USLetter Date: 2022-06-30

KiCad E.D.A. eeschema 6.0.4-6f826c9f35-116-ubuntu18.04.1

Rev:
Id: 1/1